

### Overhead Closer

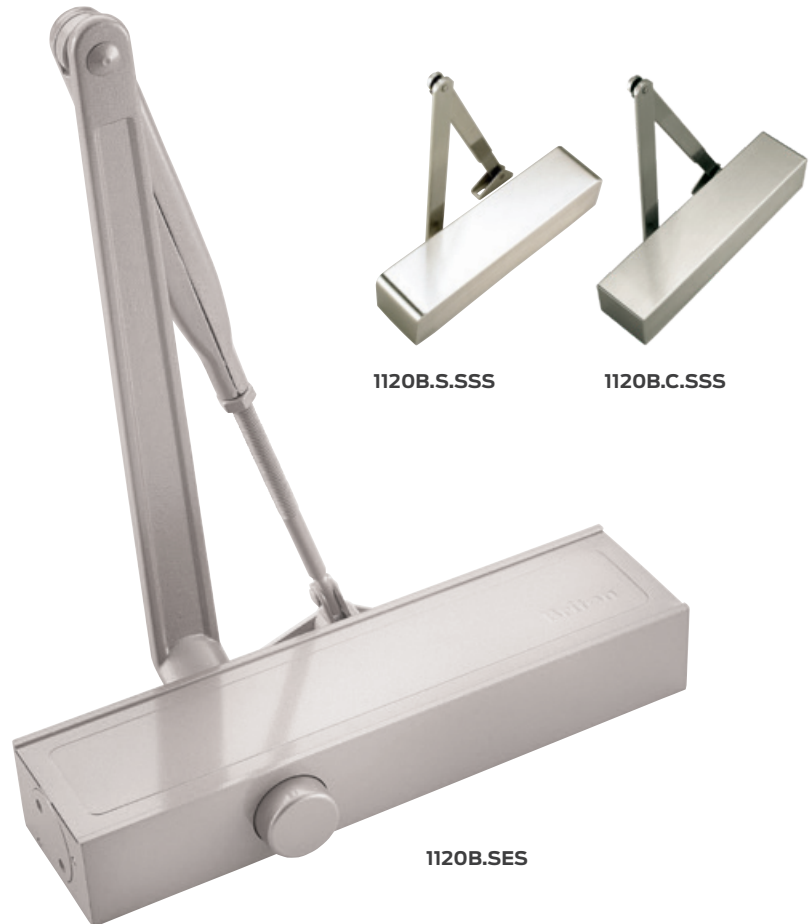
#### Introduction

The Briton 1120 is a spring adjustable size EN 2-4 door closer with an aluminum body. This compact bodied closer has a slide in trimplate to conceal fixings and is also available with all-over cover options.

#### Features & Functions

- Cast aluminium body
- Precision needle roller bearings with rack and pinion mechanism provides efficient operation and high levels of durability.
- High quality silicon chrome alloy coil spring.
- High quality hydraulic fluid with built-in temperature compensation.
- Screw thread armset in forged steel for additional strength and durability (supplied for all trimplate variants)
- All over cover variants supplied with flatform arm pack
- Snap joint arm for quick and easy installation and maintenance.
- All-over cover option in classic square or rounded softline variants to conceal all fixings and adjustment screws.
- Trimplate option is a cost effective means of concealing fixings and adjustment screws.
- Separate closing speed and latch action adjustment.

1120B  
1120B.C  
1120B.S



#### Certification

CE Marked to EN 1154 (AD0034)

Fire tested to EN 1634 for use on fire doors up to 2hr timber / 4hr steel

Certifire Approved CF388

Environmental Product Declaration in accordance with ISO 14025 & EN15804

DoP available at [www.britondops.co.uk](http://www.britondops.co.uk)

### Overhead Closer Briton 1120B

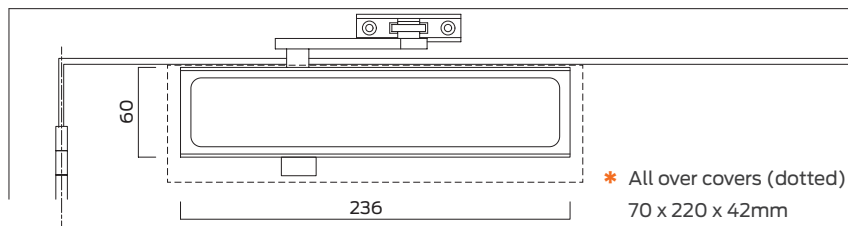
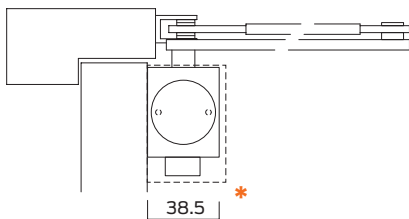
Product features	Product references		
	1120B	1120B.C	1120B.S
Closer type	Projecting/scissor arm	Projecting/scissor arm	Projecting/scissor arm
CE marked	■	■	■
Fixed closing power EN size	2 - 4	2 - 4	2 - 4
Adjustment type	Spring power	Spring power	Spring power
Maximum angle of opening	180°	180°	180°
Adjustable closing speed & latch action	■	■	■
Suitable for mounting applications	As shown below	As shown below	As shown below
Mechanical hold-open facility (non fire doors only)	□	□	□
Cover variants	Trimplate	C cover	S cover
Finishes available	SES	SES, SSS	SES, SSS
<b>CE Classification</b>	<b>3 8 2-4 1 1 3</b>	<b>3 8 2-4 1 1 3</b>	<b>3 8 2-4 1 1 3</b>

■ Standard    □ Available as an option/variant

[Click for Autocad drawings](#)

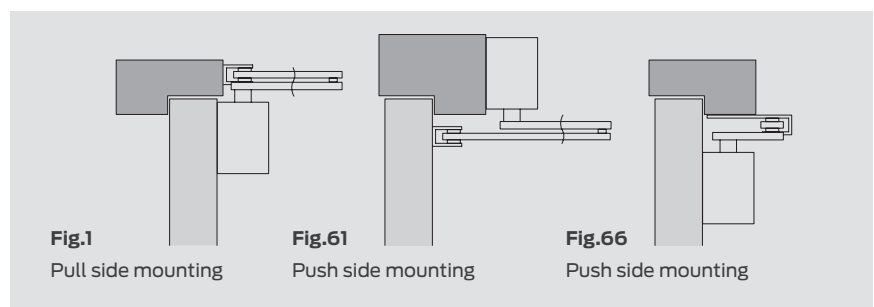


Closer with trimplate (all over cover options dotted)



All dimensions are in mm

Accessories & Parts	
1120.AP	Arm pack
1120.AFP	Platform arm pack
1120.APH	Hold-open arm pack
1110.BRK66	Fig.66 bracket pack
1110.FP.ZP	Fixing pack



### Finishes

All finish variants are supplied with matching armset and brackets.  
Other sprayed finishes are available on request.

